



LD Positioner

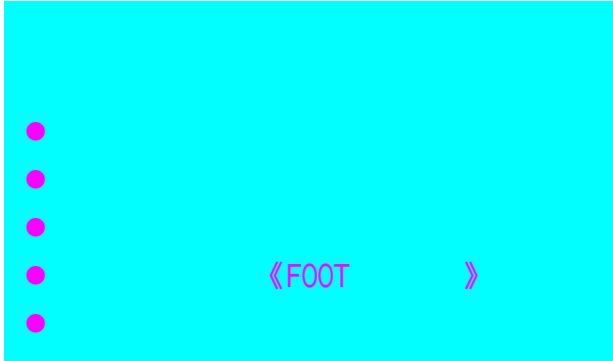
LD POSITIONER SERIES & TURNING ROLL

Turning Roll



LD POSITIONER SERIES

POSITIONER가



LD-60K / LD-60K TIG



LD-150K / LD-150K TIG



LD-300K / LD-300K TIG



LD-600NMT / LD-600NMT TIG



LD-600N

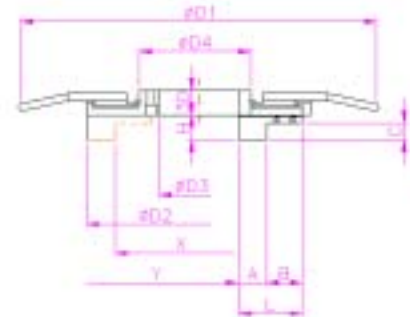
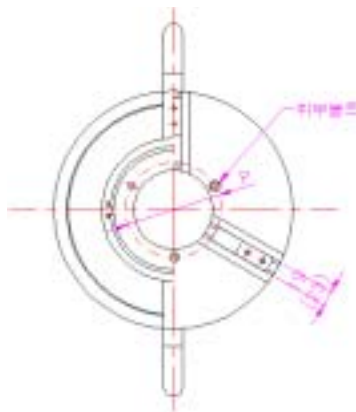
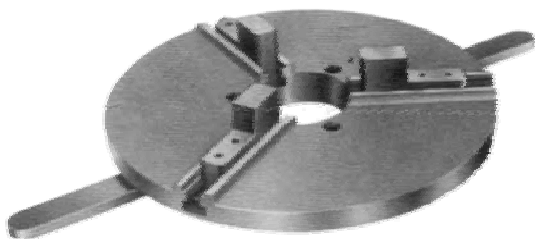


LD POSITIONER SERIES

		LD-60K	LD-150K	LD-300K	LD-600NMT	LD-600N
1	(Kg)	60	150	300	600	600
	(Kg)	30	120	200	500	500
2		AC 100V 50/60Hz	AC 100V 50/60Hz	AC 100V 50/60Hz	AC3 100V 50/60Hz	AC3 100V 50/60Hz
3	(Kg)	30	60	135	300	320
4	(mm)	400 × 580 × 385	505 × 515 × 435	570 × 750 × 530	770 × 930 × 725	770 × 930 × 725
5	(mm)	300	380	450	620	620
		100mm PITCH 3	100mm PITCH 3	100mm PITCH 4	100mm PITCH 6	100mm PITCH 6
6	(rpm)	8 0.42 × 8.0	3 0.15 × 3.0	2 0.23 × 2.3	0.116 1.16	0.116 1.16
		14 0.7 × 13.5	5 0.23 × 4.6	5 0.46 × 4.6		
		20 1.2 × 20.0	7 0.31 × 6.2			
7	()	0 ± 135 °	0 ± 90 °	0 ± 90 °	0 ± 90 °	0 ± 90 °
8	(mm)	150	110	150	150	150
9	(mm)	8 50	3 25	2 25	100	100
		14 20	5 20	5 20		
		20 16	7 15			
10	Foot SWITCH					

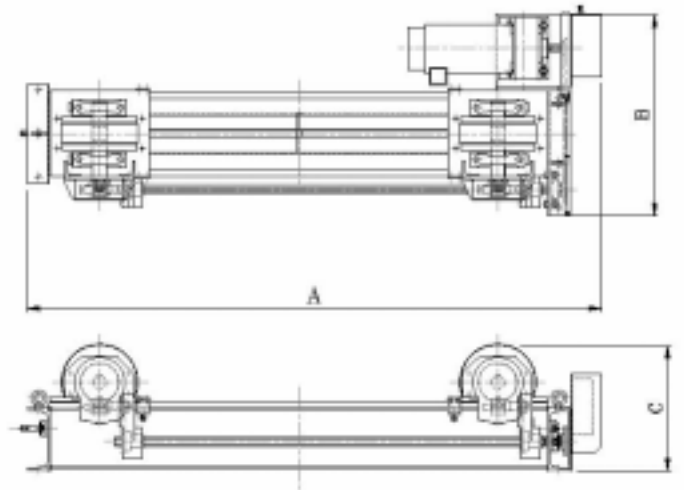
WP TYPE

POSITIONER CHUCK



	D2	D1	D4	A	B	C	L	H			D3	P				
	X		Y													
WP-200	200	350	120	30	40	22	70	30	100	200	20	130	80	100	3-M8 × 35	5
WP-300	300	460	150	35	45	22	80	30	110	290	20	200	100	120	3-M8 × 45	11
WP-400	400	600	250	35	65	35	100	50	260	350	130	250	170	220	3-M10 × 45	20

TURNING ROLL SERIES



	TR-1B		TR-3B		TR-5B		TR-5		TR-10		TR-20		TR-30		TR-50	
	D	I	D	I	D	I	D	I	D	I	D	I	D	I	D	I
A	1,515	850	1,593	1,115	2,360	2,180	2,360	2,180	2,360	2,180	3,312	2,811	3,440	2,790	4,252	3,600
B	281	220	430	300	750	350	750	350	827	400	727	600	950	540	1,114	600
C	268	268	214	214	501	501	501	501	508	508	540	540	561	561	805	805

	(Kg)	(mm)	(mm/)		×	MOTOR		STOCK NO
TR-1B	1,000	50 1,500	150 900	160 700	150 × 100	0.1kw 180VDC	1	ATR00100
TR-3B	3,000	200 2,000	120 1,200	210 900	200 × 120	0.2kw 180VDC	1	ATR00200
TR-5B	5,000	300 3,500	120 1,200	410 1,610	300 × 120	0.4kw 180VDC	2	ATR00300
TR-5	5,000	300 3,500	120 1,200	420 1,600	300 × 120	0.4kw 180VDC	2	ATR00400
TR-10	10,000	300 3,500	120 1,200	420 1,600	300 × 140	0.75kw 180VDC	2	ATR00500
TR-20	20,000	400 5,000	125 1,250	420 2,200	300 × 160	1.5kw 180VDC	2	ATR00600
TR-30	30,000	400 5,000	125 1,250	470 2,200	300 × 180	1.5kw 180VDC	2	ATR00700
TR-50	50,000	500 6,000	125 1,250	500 2,800	420 × 240	2.2kw 180VDC	2	ATR00800



1 3 1 8 - 2 6

TEL. 054-439-3711~2 FAX. 054-439-3713

URL <http://www.koike.co.kr>

Mail webmaster@koike.co.kr

